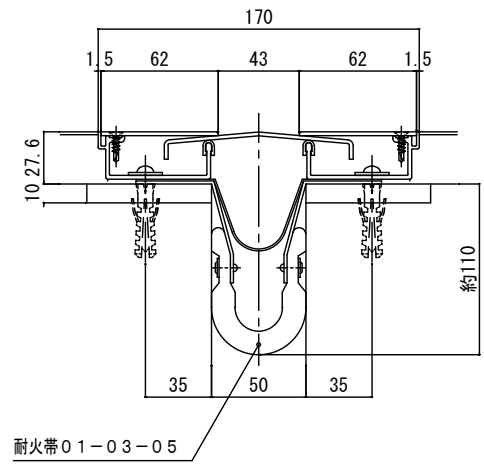
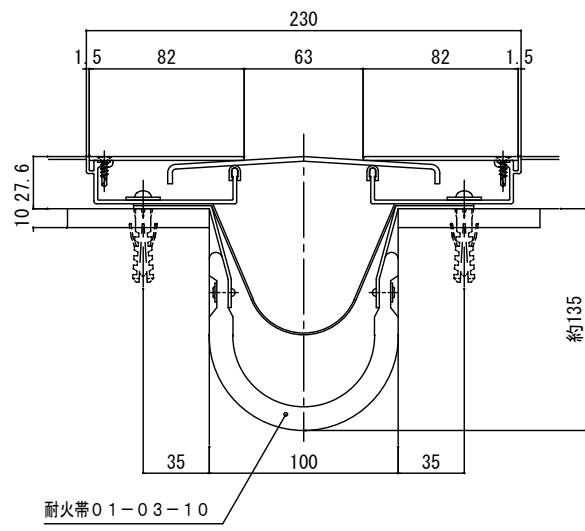


50TTF-S



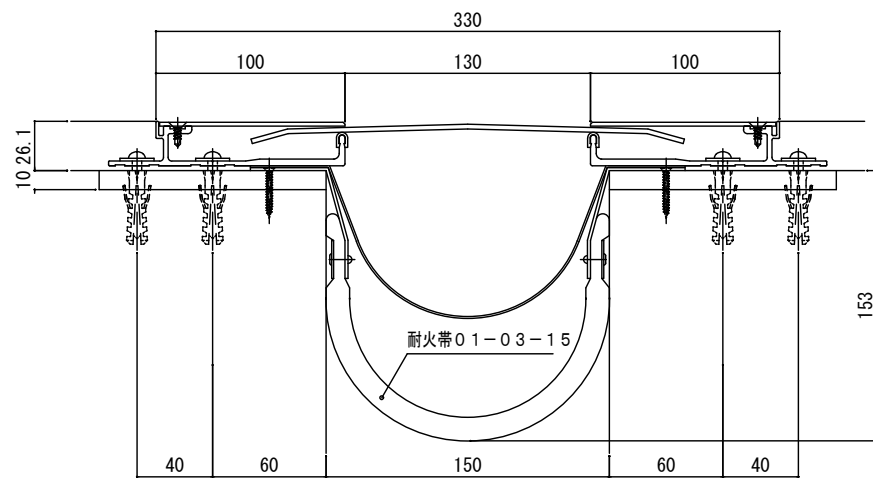
S = 1 / 5

100TTF-S



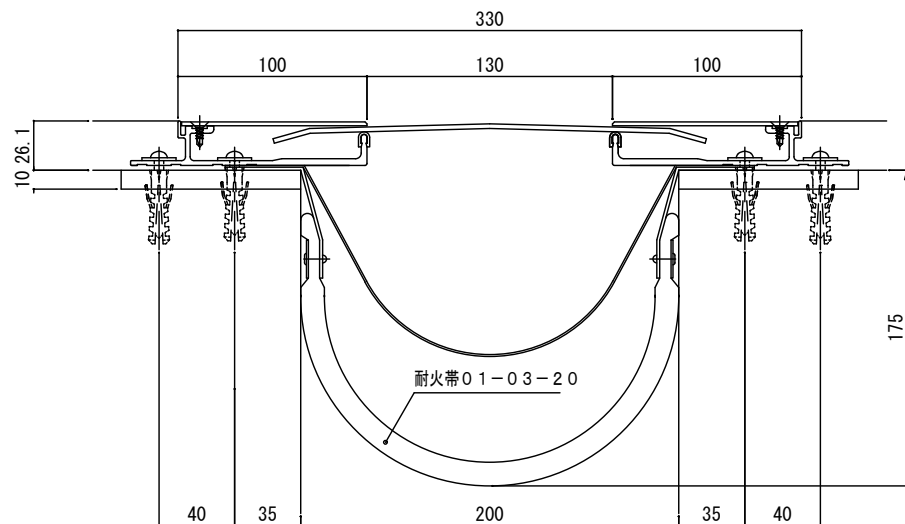
S = 1 / 5

150TT-S



S = 1 / 5

200TT-S



S = 1 / 5