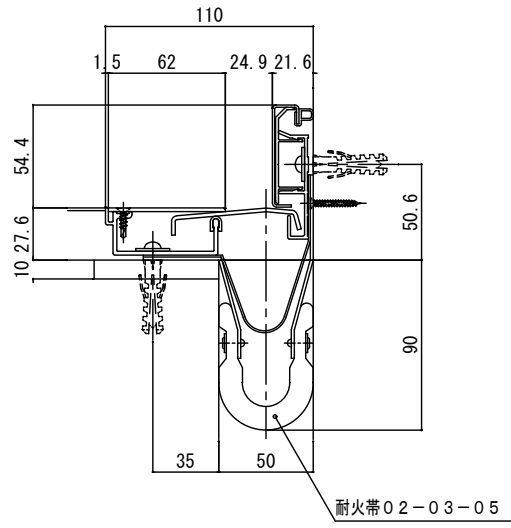
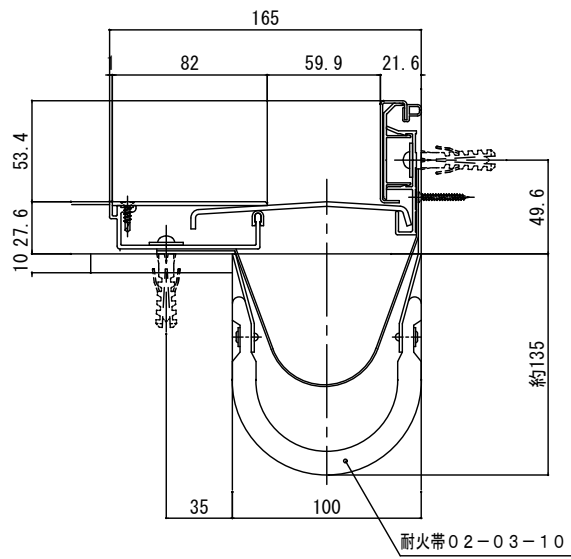


50TCF-S



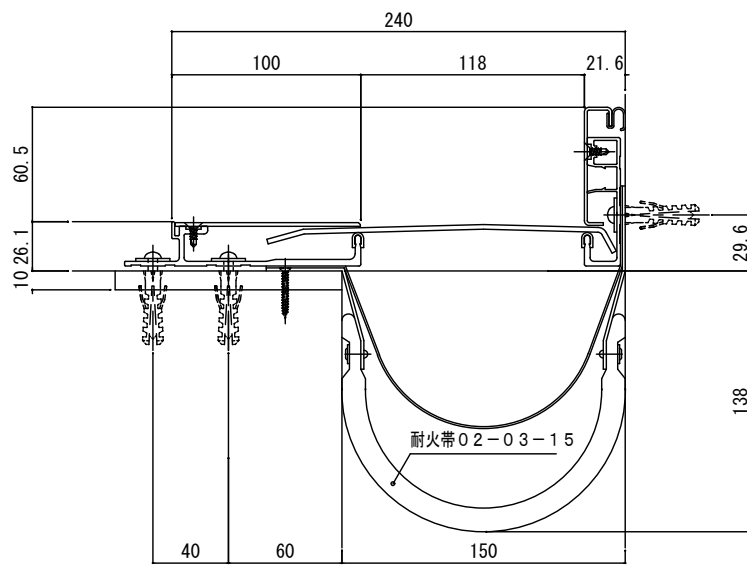
S=1/5

100TCF-S



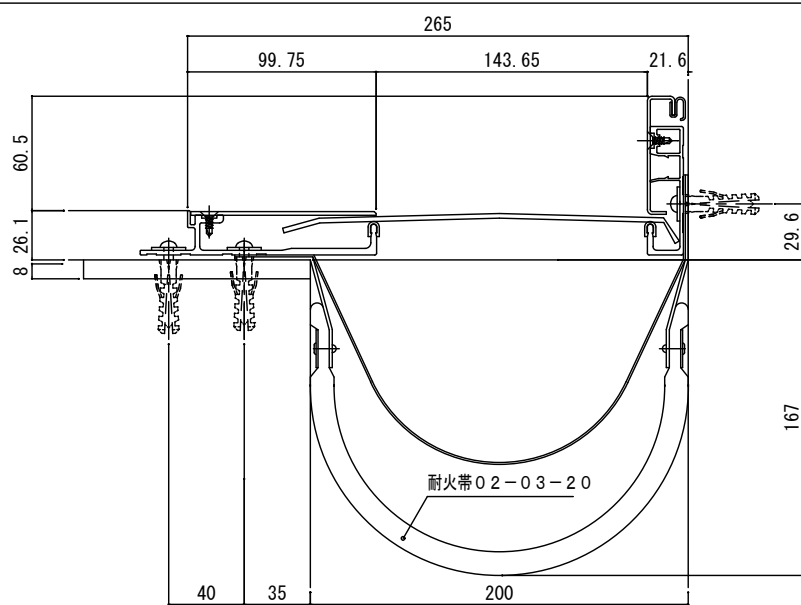
S=1/5

150TC-S



S=1/5

200TC-S



S=1/5